

**KOBELCO**

SK45SRX-6/SK55SRX-6

# MINI SK45SRX EXCAVATORS SK55SRX

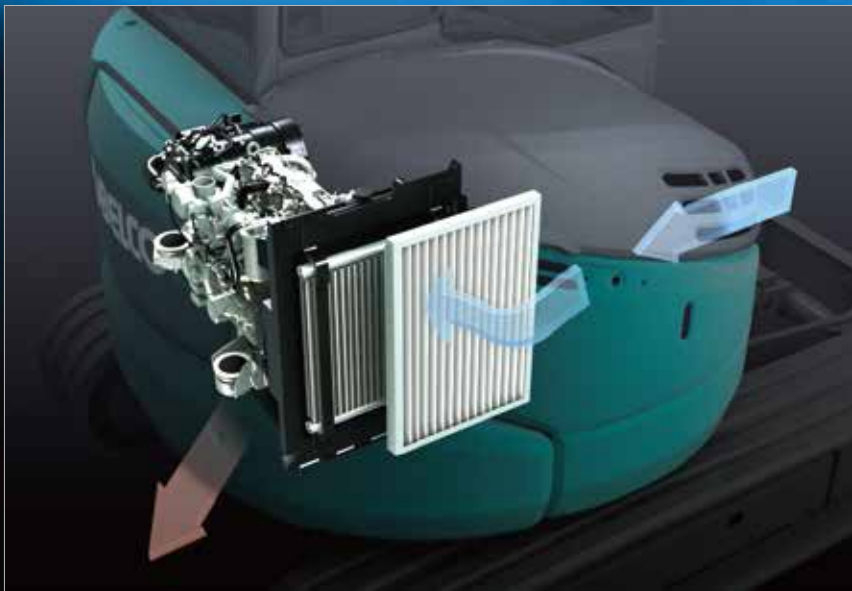


**We Save You Fuel**  
Achieving a Low-Carbon Society

# Full-Size Performance, Short-Radius Agility and Quiet Operation

## **COMPACT YET TOUGH MINI**

Now KOBELCO has taken the next evolutionary step by packing even more digging power and practical performance features into the SK45SRX/SK55SRX while maintaining a short tail swing. The new Energy Conservation Mode saves even more fuel, and Kobelco's proprietary iNDr Cooling System ensures quiet operation, protection from dust, and easy maintenance. For greater operator comfort and safety, the rectangular cab design offers plenty of room and an unobstructed view. It all adds up to enhanced full-size performance, short-radius agility and a low-noise environment, with exceptional performance features and a full range of value-added functions.

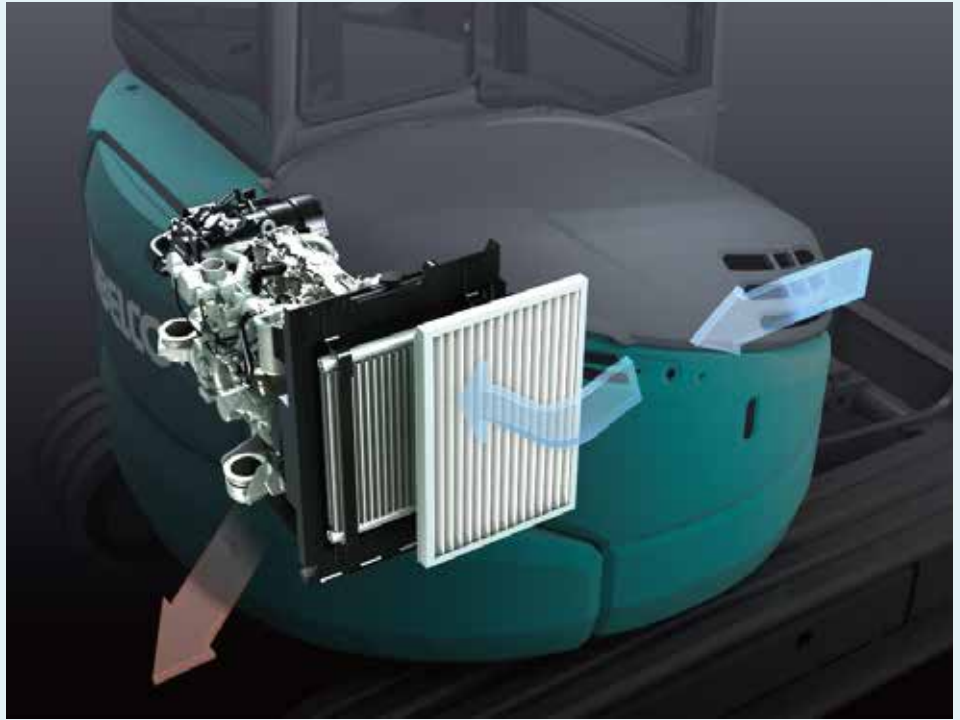




# iNDr Cooling System



The highly airtight engine compartment and the offset duct contribute to noise reduction. The iNDr filter fitted in front of the cooling system ensures easy cleaning. The iNDr system on the SK45SRX/SK55SRX features air intake at the front of the machine and air exhaust underneath. It functions in the same way as the iNDr System on the SR series machines.



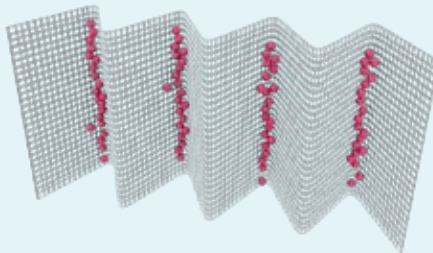
## Visual Checking and Easy Cleaning

Because the iNDr filter removes dust from the intake air, cooling components stay dirt-free and do not require regular cleaning. The iNDr filter itself can be easily removed and cleaned without the use of tools.



## iNDr Filter

The stainless-steel filter is extremely effective against dust, with 30-mesh wave-type screen that removes tiny dust particles from the intake air.



•30-mesh means that there are 30 holes formed by horizontal and vertical wires in every square inch of filter.

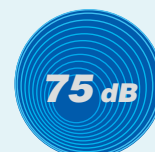
## iNDr Filter Blocks Out Dust

Outside air goes directly from the intake duct through the iNDr filter for dust removal.



## Ultimate Low Noise

KOBELCO's exclusive iNDr Cooling System delivers amazingly quiet operation. In fact, the SK45SRX/SK55SRX is 9 dB quieter than the previous models.



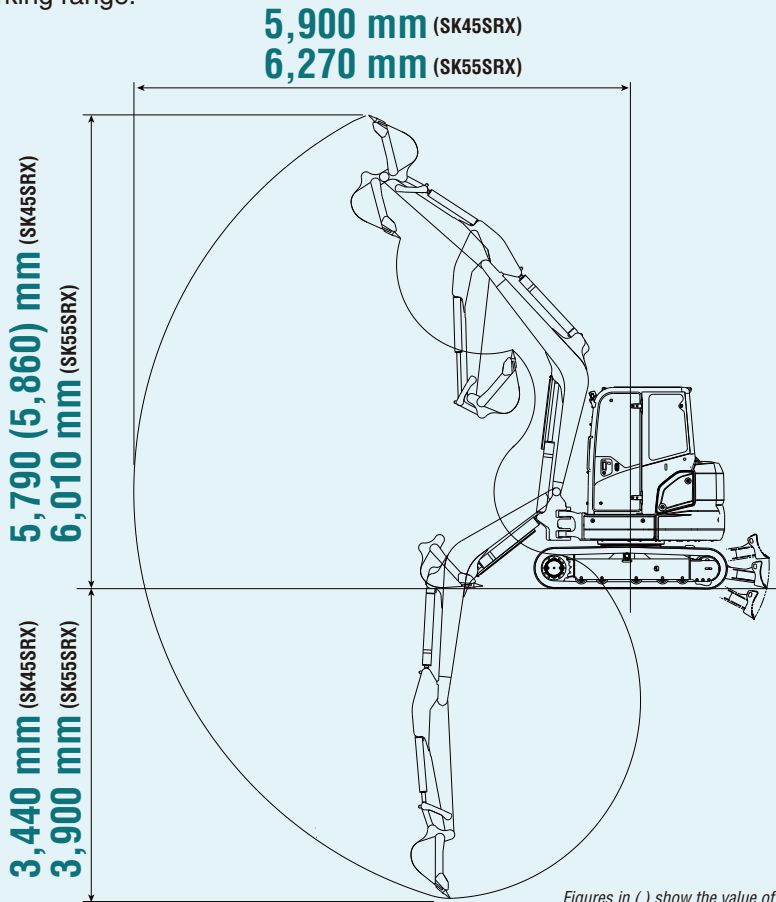
at 1 m backward from machine rearend and 1.5 m height from ground level.

## PERFORMANCE

# Compact, yet, Big Performance

### Wide Working Range

A larger boom and arm are provided as standard equipment to ensure a wider working range.



### Short Tail Swing

The compact tail swing improves operating efficiency in limited space.

Tail overhang:  
190 mm  
(290 mm)\*



\*Figure shows the value of SK45SRX/SK55SRX with add-on counterweight.

### Energy Conservation Mode

The SK45SRX/SK55SRX adapts S mode which enables 23 % less fuel consumption compared with H mode.



### One Touch Deceleration

The SK45SRX/SK55SRX features one-touch deceleration. It allows easy switching to an idling state, reducing the fuel consumption while the machine is at rest.



### Easy Transportability

With an overall height of 2,530 mm, the machine is designed for easy transport.



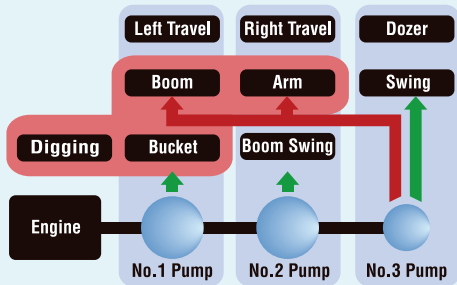
## PERFORMANCE

# Fast, Full-Powered Digging and Leveling

## Powerful Digging Performance

### Integrated-Flow Pump System

The instant the machine begins to dig, extra output from the third pump (which otherwise powers the swing and dozer circuit) is directed to the arm circuit and boom circuit (raise) for added power. This ensures fast and smooth arm and boom raising operation even under heavy loads.



### Large Capacity Engine

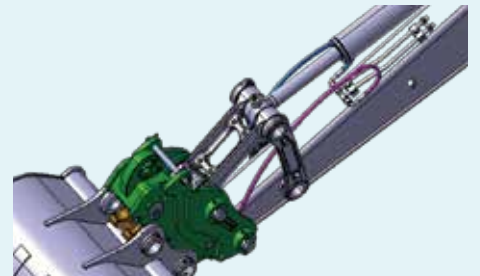
The large-capacity engine packs plenty power for outstanding hydraulic performance.



### Easy Hydraulic Piping for Quick Hitch



Quick Hitch is available as option. Piping for Quick Hitch is fitted as standard.



## More Travel Power

### Large Capacity Travel Torque

The large capacity travel torque enables the machine to perform spin turn in low mode even when the dozer is pushing a heavy load.

### Automatic Two-Speed Travel

An automatic shift function ensures smoother, more efficient travel on worksite. When the High mode is selected, the travel system will automatically shift to Low mode whenever the load or climbing grades requires more power.

### Travel Switch

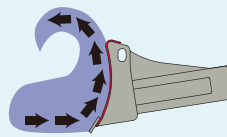
The travel lever is fitted with a button for easy switching to H-Mode travel.



## Powerful and Efficient Dozer Performance

### Dozer-Blade Shape

KOBELCO's unique blade design solves this problem by forming the earth into an arc that always falls forward. Because this prevents earth from falling behind the blade, only "one pass" is needed.

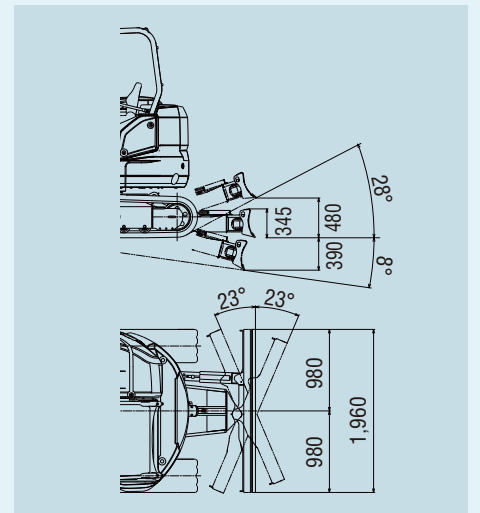


### Dozer-Blade Shape

Brand new from KOBELCO is a 4-way blade option available on the SK55SRX. Built-in the same durability as the standard blade, this 4-way option provides 23 to 25 degrees of left and right angle movement for clearing, grading and back-filling. The 4-way blade gives you better control for following changing terrain and helps eliminate the windrowing effect that can occur with standard dozer blades.

### Hydraulic Pilot-Controlled Dozer Operation Lever

The dozer lever features hydraulic pilot control for precise handling.



## MAINTENANCE

# Easy Daily Maintenance

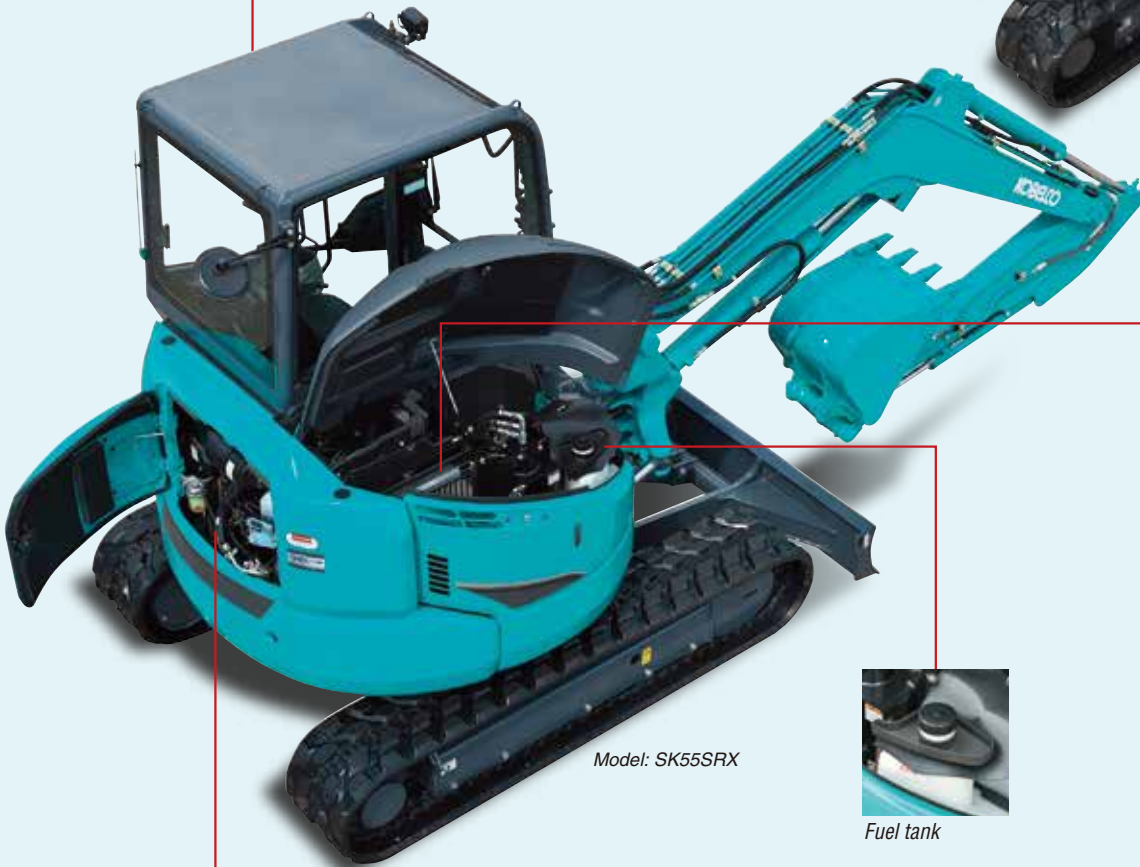
Start-up checks are essential for safe and reliable machine operation. All start-up checks can be performed at ground level, with an easy-to-understand layout and cover design that simplifies access and save time.

### Easy Access to Component Under the Seat

Two-piece floor mats for easy washing    Hour meter



Model: SK45SRX



Model: SK55SRX

Fuel tank

### Easy Access to Cooling Unit



### Easy Access to Engine Compartment



High-grade fuel filter



Pre fuel filter with built-in water separator



Air cleaner

## COMFORT

# Comfortable Work Environment

### Spacious Work Environment

The newly designed, rectangular cab is over 820 mm wide, with optimized control layout for comfortable, easy operation. A greater window area further improves visibility. A clear view is provided at the rear, and there's also more floor space, with a seat that slides further to ensure plenty of leg room.



### Easy Access

A wide-opening door and a left-hand tilting control console with safety lever that rises high, make it easy for operators to enter and exit the cab.



### Work Light



Working light is mounted under the boom to protect from damage.

### Control Lever

Precise proportional controls (optional) are integrated into the joystick for ease of operation.



### Skylight



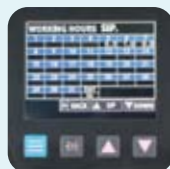
### Color Liquid Crystal Monitor



The color liquid crystal monitor is fitted as standard. Operation data as well as the full range of machine-status data can readily be checked.



Maintenance



Working hours

### Pattern Changer

Pattern changer allows for increased utilization and flexibility to match operator preference.

*Pattern Changer is standard fitting for Australia.  
Another pattern changer is provided for New Zealand.*





## Comfortable Operating Environment

### Hammer for emergency exit



### Climate control

The climate control system is located down and to the right of the seat, keeping the rear view clear.



Vents to send cooled air toward the operator if he desires.



### Opening/closing front window

The front window features gas damper cylinders for smooth and easy opening and closing.



### Coat hook



### Room light



### Two-speaker FM/AM radio with station select (optional)



## Operator Safety

### Reliable Cab/Canopy Structure

The high-strength cab/canopy meets ROPS and TOP GUARD LEVEL 1 standards for greater operator safety.



## RELIABILITY

# Reliable Construction

The boom, arm and swing bracket all have large cross-section segments for added attachment strength.

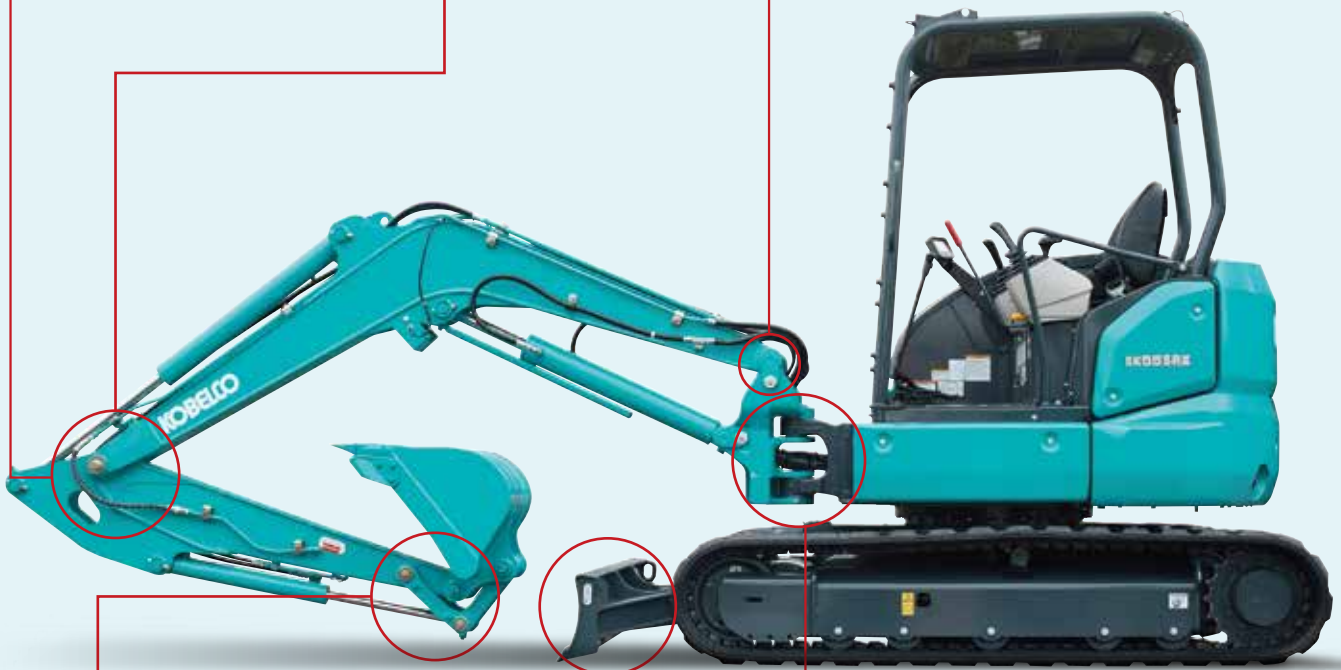
### Strong boom and arm

Bolt-tightened pins firmly lock the boom and arm to prevent the boom top from opening laterally.

Forged boom top



Plate type pin



### Bucket

Cast-iron idler link provides greater strength.



### Dozer

Box construction dozer supports provide greater strength.



### Swing bracket

Large, thick cast-iron swing bracket/front bracket.



### Hydraulic piping

The hydraulic piping is housed inside the swing bracket.

### Accumulator for Emergency Attachment Lowering

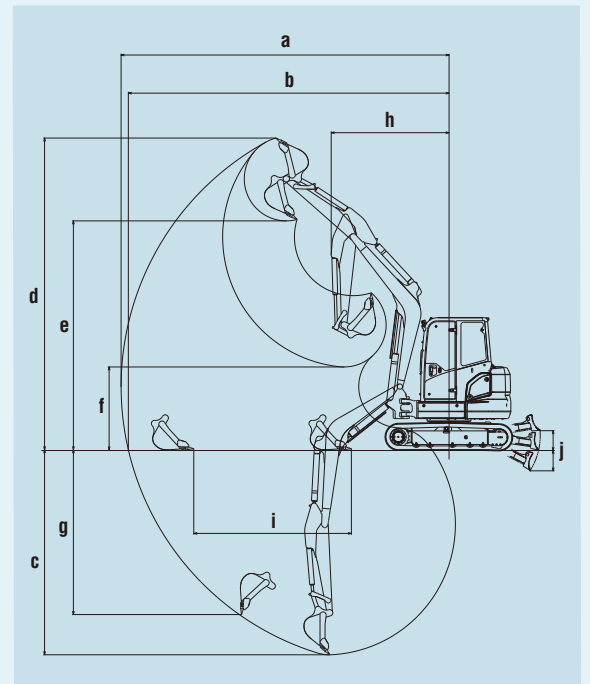
An installed accumulator allows the attachment to be safely lowered to the ground using in-cab controls in the event of an unexpected engine shut-down and class leading smooth operation.



## SPECIFICATIONS

MODEL		SK45SRX		SK55SRX		
Type		SK45SRX-6		SK55SRX-6		
Crawler Shoe		Rubber	Steel	Rubber	Steel	
Machine Mass	Cab	kg	4,550	4,690	5,020	
	Canopy	kg	4,430	4,580	4,900	
Bucket Capacity		m <sup>3</sup>	0.14		0.16	
Bucket Width (with side cutter)		mm	600		600	
Arm Length		m	1.55		1.69	
Bucket Digging Force		kN	35.2		35.2	
Arm Crowding Force		kN	20.9		24.6	
ENGINE						
Model		YANMAR 3TNV88-B				
Type		Water cooled, 4-cycle, 4-cylinder, direct injection, diesel engine				
Power Output	(ISO 9249)	kW/min <sup>-1</sup>	28.3/2,400			
	(ISO 14396)	kW/min <sup>-1</sup>	29.6/2,400			
Max. Torque	(ISO 9249)	N·m/min <sup>-1</sup>	131.1/1,400			
	(ISO 14396)	N·m/min <sup>-1</sup>	132.9/1,400			
Displacement		L	2.189			
Fuel Tank		L	75			
HYDRAULIC SYSTEM						
Pump		Two variable displacement pumps + One gear pump				
Max. Discharge Flow		L/min	2 x 49.9, 1 x 33.8			
Relief Valve Setting		MPa	23.0			
Hydraulic Oil Tank (system)		L	27.9 (57.7)			
TRAVEL SYSTEM						
Travel Motors		2 x axial-piston, two-step motors				
Parking Brake		Oil disc brake per motor				
Travel Speed (high/low)		km/h	4.0/2.3	3.7/2.1	4.0/2.3	3.7/2.1
Gradeability		% (degree)	58 (30)			
Drawbar Pulling Force	Cab	kN	55.2		54.9	
	Canopy	kN	55.2		54.9	
CRAWLER						
Shoe Width		mm	400			
Ground Pressure	Cab	kPa	26.1	27.7	28.7	30.4
	Canopy	kPa	25.4	27.0	28	29.7
DOZER BLADE						
Width x Height		mm	1,960 x 345			
SWING SYSTEM						
Swing Motor		Axial piston motor				
Parking Brake		Oil disc brake, hydraulic operated automatically				
Swing Speed		min <sup>-1</sup>	8.8			
SIDE DIGGING MECHANISM						
Type		Boom swing				

## WORKING RANGES

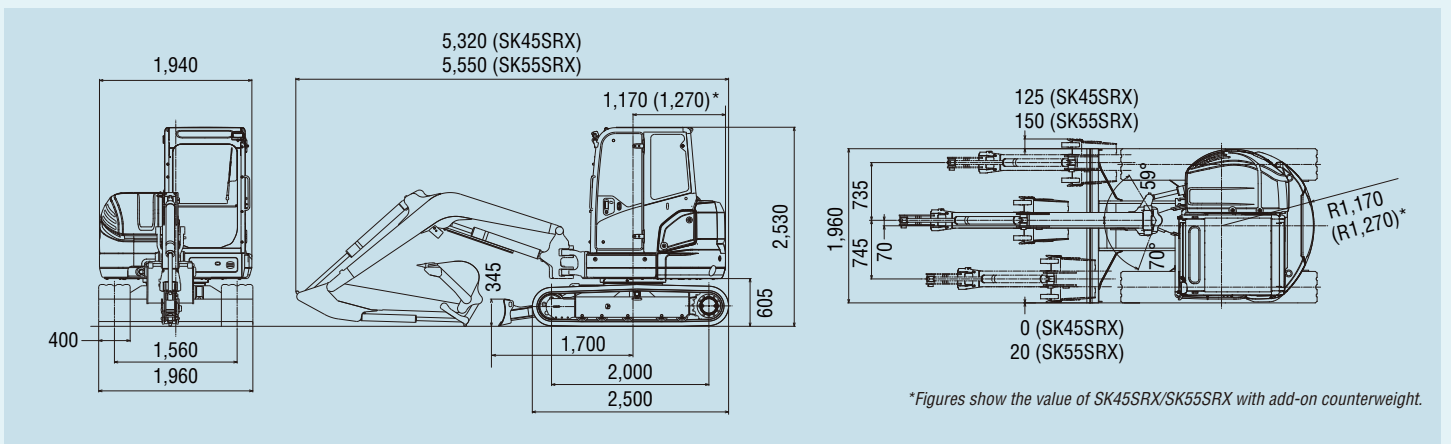


Unit: mm

MODEL	SK45SRX		SK55SRX
	Cab	Canopy	
Arm length	1.55 m		1.69 m
a- Max. digging reach	5,900		6,270
b- Max. digging reach at ground level	5,750		6,130
c- Max. digging depth	3,440		3,900
d- Max. digging height	5,790	5,860	6,010
e- Max. dumping clearance	4,190	4,260	4,420
f- Min. dumping clearance	1,550	1,610	1,590
g- Max. vertical wall digging depth	3,000		3,240
h- Min. swing radius at boom swing	2,410	2,360	2,250
i- Horizontal digging stroke at ground level	1,990	1,920	1,900
j- Dozer blade (height/depth)	2,550		2,950
	465/335		465/335

## GENERAL DIMENSIONS

Unit: mm



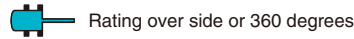
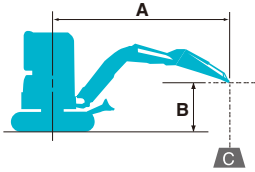
\*Figures show the value of SK45SRX/SK55SRX with add-on counterweight.

## OPTIONAL EQUIPMENT

- N&B (HCP\*) piping
- Bolt-on Pad shoes (for steel shoes)
- BHL lever
- N&B (foot) piping + Rotating N&B (HCP\*)
- Add-on counterweight (250 kg) + 100 mm tail swing radius
- Multi-control valve
- N&B (HCP\*) piping + Rotating N&B (HCP\*)
- Boom & arm holding valve
- Arm & bucket cylinder cover
- ROPS cab with air conditioner
- Wide range of buckets
- Front guard
- Radio (only for cab)
- Rear view mirror
- 12 V power source
- Steel shoe
- Rear under mirror
- Additional light for canopy spec.

\*Hand Control Proportional

# LIFTING CAPACITIES



A: Reach from swing centerline to arm top  
 B: Arm top height above/below ground  
 C: Lifting capacities in kilograms  
 Shoe: Rubber shoe Dozer blade: Up  
 Relief valve setting: 23.0 MPa

SK45SRX Cab		Arm: 1.55 m, Bucket: Without Rubber shoe: 400 mm											
A		1.0 m		2.0 m		3.0 m		4.0 m		5.0 m		At Max. Reach	
B		Rating over front		Rating over front		Rating over front		Rating over front		Rating over front		Radius	
4.0 m	kg											*860	840
3.0 m	kg											770	650
2.0 m	kg											680	570
1.0 m	kg											650	550
G. L.	kg											680	570
-1.0 m	kg	*2,010	*2,010	*1,390	*1,390	1,380	1,110	900	740			780	650
-2.0 m	kg		2,970	2,230	1,410	1,140						1,110	920

SK45SRX Cab		Arm: 1.55 m, Bucket: Without Rubber shoe: 400 mm Add-on Counterweight (250 kg)											
A		1.0 m		2.0 m		3.0 m		4.0 m		5.0 m		At Max. Reach	
B		Rating over front		Rating over front		Rating over front		Rating over front		Rating over front		Radius	
4.0 m	kg											*860	*860
3.0 m	kg											780	750
2.0 m	kg											780	660
1.0 m	kg											760	640
G. L.	kg											790	660
-1.0 m	kg	*2,010	*2,010	*2,700	2,500	1,590	1,290	1,030	860			910	760
-2.0 m	kg			*3,010	2,560	1,620	1,320					1,280	1,060

SK45SRX Canopy		Arm: 1.55 m, Bucket: Without Rubber shoe: 400 mm											
A		1.0 m		2.0 m		3.0 m		4.0 m		5.0 m		At Max. Reach	
B		Rating over front		Rating over front		Rating over front		Rating over front		Rating over front		Radius	
4.0 m	kg											*860	820
3.0 m	kg											740	630
2.0 m	kg											650	550
1.0 m	kg											630	530
G. L.	kg											660	550
-1.0 m	kg	*2,010	*2,010	*2,700	2,100	1,330	1,080	860	710			760	630
-2.0 m	kg		2,870	2,160	1,360	1,100						1,080	890

SK45SRX Canopy		Arm: 1.55 m, Bucket: Without Rubber shoe: 400 mm Add-on Counterweight (250 kg)											
A		1.0 m		2.0 m		3.0 m		4.0 m		5.0 m		At Max. Reach	
B		Rating over front		Rating over front		Rating over front		Rating over front		Rating over front		Radius	
4.0 m	kg											*860	*860
3.0 m	kg											780	730
2.0 m	kg											760	640
1.0 m	kg											730	620
G. L.	kg											760	640
-1.0 m	kg	*2,010	*2,010	*2,700	2,440	1,540	1,250	1,000	840			880	740
-2.0 m	kg			*3,010	2,490	1,570	1,280					1,240	1,030

SK55SRX Cab		Arm: 1.69 m, Bucket: Without Rubber shoe: 400 mm											
A		1.0 m		2.0 m		3.0 m		4.0 m		5.0 m		At Max. Reach	
B		Rating over front		Rating over front		Rating over front		Rating over front		Rating over front		Radius	
5.0 m	kg											*1,040	*1,040
4.0 m	kg											970	820
3.0 m	kg											780	660
2.0 m	kg											710	590
1.0 m	kg											680	570
G. L.	kg											700	590
-1.0 m	kg	*2,080	*2,080	*2,580	2,480	1,580	1,270	1,020	840			790	650
-2.0 m	kg	*3,210	*3,210	*3,360	2,530	1,600	1,290	1,050	860			1,020	840
-3.0 m	kg			*1,590	*1,590							*1,190	*1,190

SK55SRX Cab		Arm: 1.69 m, Bucket: Without Rubber shoe: 400 mm Add-on Counterweight (250 kg)											
A		1.0 m		2.0 m		3.0 m		4.0 m		5.0 m		At Max. Reach	
B		Rating over front		Rating over front		Rating over front		Rating over front		Rating over front		Radius	
5.0 m	kg											*1,040	*1,040
4.0 m	kg											930	930
3.0 m	kg											890	750
2.0 m	kg											890	760
1.0 m	kg											870	740
G. L.	kg											860	720
-1.0 m	kg	*2,080	*2,080	*2,580	2,580	1,790	1,450	1,170	970			890	750
-2.0 m	kg	*3,210	*3,210	*3,360	2,860	1,810	1,470	1,180	990			1,150	960
-3.0 m	kg			*1,590	*1,590							*1,190	*1,190

SK55SRX Canopy		Arm: 1.69 m, Bucket: Without Rubber shoe: 400 mm											
A		1.0 m		2.0 m		3.0 m		4.0 m		5.0 m		At Max. Reach	
B		Rating over front		Rating over front		Rating over front		Rating over front		Rating over front		Radius	
5.0 m	kg											*1,040	*1,040
4.0 m	kg											940	790
3.0 m	kg											930	930
2.0 m	kg											760	640
1.0 m	kg											680	570
G. L.	kg											660	550
-1.0 m	kg	*2,080	*2,080	*2,580	2,410	1,530	1,230	990	820			760	630
-2.0 m	kg	*3,210	*3,210	*3,290	2,460	1,560	1,260	1,010	840			980	820
-3.0 m	kg			*1,590	*1,590							*1,190	*1,190

SK55SRX Canopy		Arm: 1.69 m, Bucket: Without Rubber shoe: 400 mm Add-on Counterweight (250 kg)											
A		1.0 m		2.0 m		3.0 m		4.0 m		5.0 m		At Max. Reach	
B		Rating over front		Rating over front		Rating over front		Rating over front		Rating over front		Radius	
5.0 m	kg											*1,040	*1,040
4.0 m	kg											930	930
3.0 m	kg											1,000	900
2.0 m	kg											880	750
1.0 m	kg											870	740
G. L.	kg											850	720
-1.0 m	kg	*2,080	*2,080	*2,580	2,580	1,740	1,410	1,130	940			870	730
-2.0 m	kg	*3,210	*3,210	*3,360	2,790	1,770	1,430	1,150	960			1,120	930
-3.0 m	kg			*1,590	*1,590							*1,190	*1,190

- Notes:**
- Do not attempt to lift or hold any load that is greater than these lift capacities at their specified lift point radius and heights. Weight of all accessories must be deducted from the above lift capacities.
  - Lift capacities are based on machine standing on level, firm, and uniform ground. User must make allowance for job conditions such as soft or uneven ground, out of level conditions, side loads, sudden stopping of loads, hazardous conditions, experience of personnel, etc.
  - Arm top defined as lift point.

- The above lifting capacities are in compliance with ISO 10567. They do not exceed 87% of hydraulic lifting capacity or 75% of tipping load. Lifting capacities marked with an asterisk (\*) are limited by hydraulic capacity rather than tipping load.
- Operator should be fully acquainted with the Operator's and Maintenance Instructions before operating this machine. Rules for safe operation of equipment should be adhered to at all times.
- Lift capacities apply to only machine as originally manufactured and normally equipped by KOBELCO CONSTRUCTION MACHINERY CO., LTD.

Note: This catalog may contain attachments and optional equipment that are not available in your area. And it may contain photographs of machines with specifications that differ from those of machines sold in your areas. Please consult your nearest KOBELCO distributor for those items you require. Due to our policy of continuous product improvements all designs and specifications are subject to change without advance notice. Copyright by **KOBELCO CONSTRUCTION MACHINERY CO., LTD.** No part of this catalog may be reproduced in any manner without notice.

## KOBELCO CONSTRUCTION MACHINERY CO., LTD.

5-15 kitashinagawa 5-chome, Shinagawa-ku, Tokyo 141-8626 JAPAN  
 Tel: +81 (0) 3-5789-2146 Fax: +81 (0) 3-5789-2135  
[www.kobelco-kenki.co.jp/english\\_index.html](http://www.kobelco-kenki.co.jp/english_index.html)

Inquiries To: