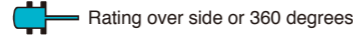
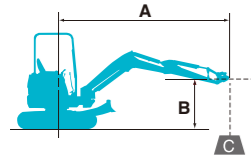


MINI EXCAVATOR SK25SR

LIFTING CAPACITIES



A: Reach from swing centerline to arm top
 B: Arm top height above/below ground
 C: Lifting capacities in kilograms
 Shoe: Rubber shoe Dozer blade: Up
 Relief valve setting: 20.6 MPa

SK25SR		Bucket: Without Rubber Shoe: 250 mm		2.0 m		2.5 m		3.0 m		At. Max. reach	
B	A										
3.0 m	kg									*450	380
2.5 m	kg							*460	*450	400	330
2.0 m	kg							*460	360	360	300
1.0 m	kg							*760	*760	*600	440
G. L.	kg	890	690	630	510	480	400	330	330	330	270
-1.0 m	kg	870	700	600	500	470	380	380	380	390	320
-1.5 m	kg	840	680	610	510					470	400

- Notes:**
- Do not attempt to lift or hold any load that is greater than these lift capacities at their specified lift point radius and heights. Weight of all accessories must be deducted from the above lift capacities.
 - Lift capacities are based on machine standing on level, firm, and uniform ground. User must make allowance for job conditions such as soft or uneven ground, out of level conditions, side loads, sudden stopping of loads, hazardous conditions, experience of personnel, etc.
 - Arm top defined as lift point.
 - The above lifting capacities are in compliance with ISO 10567. They do not exceed 87% of hydraulic lifting capacity or 75% of tipping load. Lifting capacities marked with an asterisk (*) are limited by hydraulic capacity rather than tipping load.
 - Operator should be fully acquainted with the Operator's and Maintenance Instructions before operating this machine. Rules for safe operation of equipment should be adhered to at all times.
 - Lift capacities apply to only machine as originally manufactured and normally equipped by KOBELCO CONSTRUCTION MACHINERY CO., LTD.

Note: This catalog may contain attachments and optional equipment that are not available in your area. And it may contain photographs of machines with specifications that differ from those of machines sold in your areas. Please consult your nearest KOBELCO distributor for those items you require. Due to our policy of continuous product improvements all designs and specifications are subject to change without advance notice. Copyright by KOBELCO CONSTRUCTION MACHINERY CO., LTD. No part of this catalog may be reproduced in any manner without notice.

KOBELCO CONSTRUCTION MACHINERY CO., LTD.

17-1, Higashigotanda 2-chome, Shinagawa-ku, Tokyo 141-8626 JAPAN
 Tel: +81 (0) 3-5789-2146 Fax: +81 (0) 3-5789-2135
www.kobelco-kenki.co.jp/english_index.html

Inquiries To:

SK25SR-6E-ANZ-101-15040051F



Compact, Tough Performer



Mini excavators are widely used at sites where space is limited, such as residential areas and industrial operations. Users want big power in a small machine, stable operation, rugged construction and durability to reduce downtime. The SK25SR combines a compact design with efficiency, maneuverability and durability to ensure a long working life. Maintenance is easy, with the machine's running condition shown on an LCD monitor fitted as standard. The SK25SR is a mini with big aspirations, designed and equipped for full-sized performance over an extended working life.

PERFORMANCE

Compact yet Big Performance

Reliable Swing Power, Faster Working Speed

Boosted swing power and a top-class swing speed deliver shorter cycle times.

Swing Speed: **10.0min⁻¹**

Powerful Digging

For more efficient work performance.

Max. Arm Crowding Force: **12.6kN***

Max. Bucket Digging Force: **23.1kN***

* Figure shows the value without Quick Hitch.

Easy Hydraulic Piping for Quick Hitch

Piping for Quick Hitch is fitted as standard. (Quick Hitch itself is standard for New Zealand.)



Auto Deceleration (option)



If the operating levers have been in neutral for more than 4 seconds, the engine will automatically drop back to idle, which lowers noise, emissions and fuel consumption.

Backlit Liquid Crystal Monitor

The backlit liquid crystal monitor is provided as standard.

Operation information as well as the full range of machine status information can readily be checked.



Warning indicators LED lamp

Water temperature gauge

Clock

Hour meter

Fuel gauge

Menu switch

Function keys

Function key guidance

Normal display

Main menu

Machine operation management

Maintenance

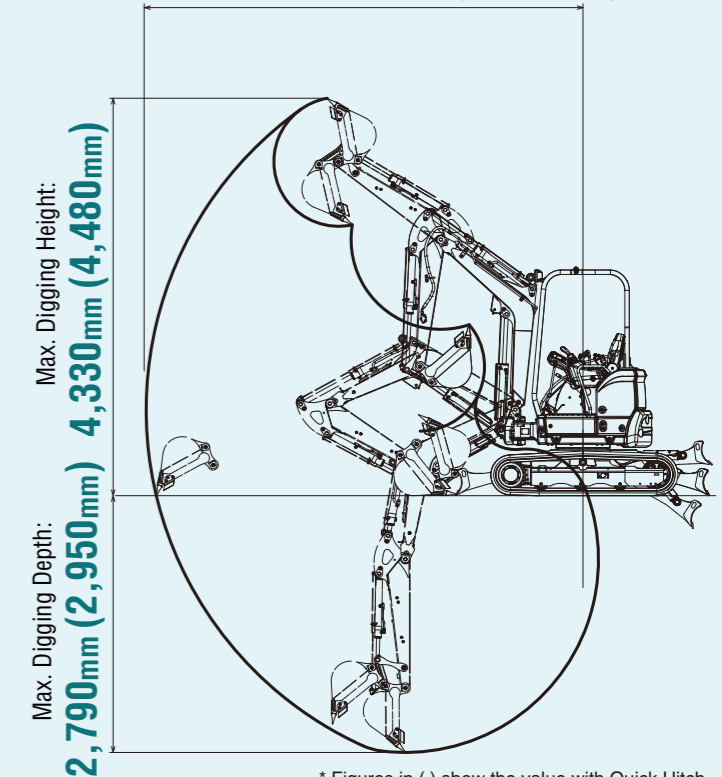
Machine operating hours

Language setting

Wide Working Range

The SK25SR has plenty of working ranges, including top-class max. digging reach and max. digging depth.

Max. Digging Reach: **4,750mm (4,910mm)**



* Figures in () show the value with Quick Hitch.

PERFORMANCE

Compact yet Big Performance

Short Tail Swing

The combination of side-ditch digging function and zero tail radius makes it easy to dig next to walls with a compact operating footprint.

Tail Overhang: 0mm



Compact Upper Body Without Front Overhang



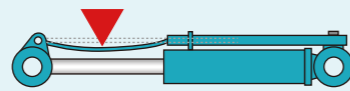
RELIABILITY

Reliable Construction

SK25SR has the durability needed in a machine that works in tight spaces.

Cylinder Rod Guard

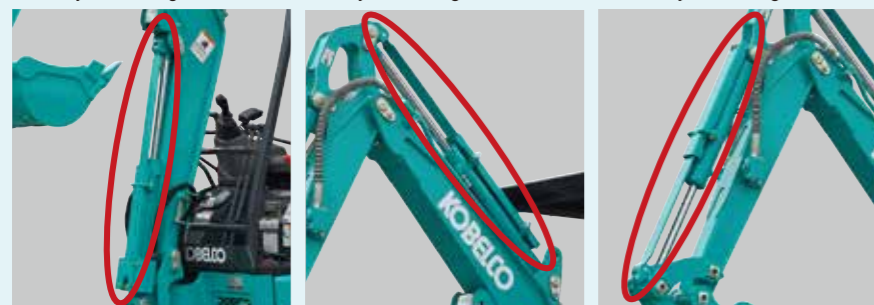
The spring steel cylinder rod guard is standard for the bucket, boom and arm cylinder. The use of spring steel not only protects the cylinder rod, but gives resiliency to the guard itself.



Boom cylinder rod guard

Arm cylinder rod guard

Bucket cylinder rod guard



Work Light

Work light is mounted under the boom to protect from damage.



Blade Cutting Edge

Backfill dozer blade has wear-resistant cutting edge.



COMFORT

Comfortable Work Environment



Broader floor space gives operators plenty of foot room. Wide operational space is provided with more room between the left and right control consoles.

Storage Compartment for Manuals

A handy compartment in the seat-back holds manuals and other documents.



Wrist Rest

Wrist rests fitted on the each control lever box ensure fatigue-free operation.



Travel Pedal

The travel pedal simplifies simultaneous operations while the machine traveling.



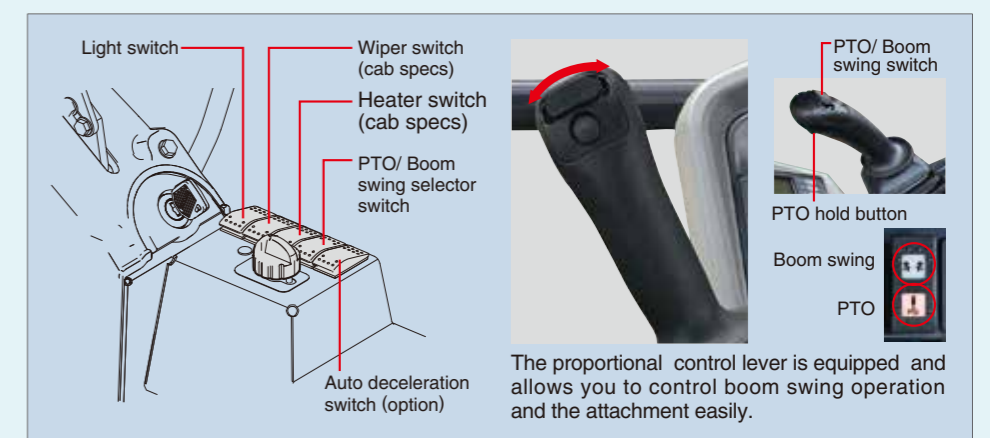
Comfortable Reclining Seat

Seat can be adjusted to match the operator's size or posture.



Easy Access to Control Panel and Levers

Centralized switches in a convenient position to allow for simple, convenient operation.



The proportional control lever is equipped and allows you to control boom swing operation and the attachment easily.

Operator Safety

Reliable Canopy Structure

The four-support canopy meets ROPS and FOPS standards for greater operator safety.



Safety Lever Lock

Safety lever lock permits enter and exit only when the levers are disengaged to prevent accidental operation.



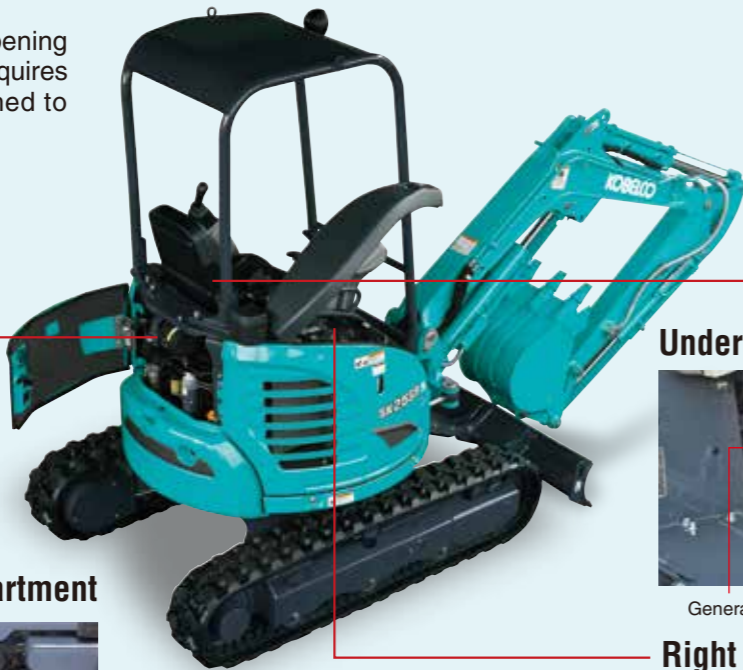
Travel alarm

Travel Alarm is equipped as standard.

MAINTENANCE

Easy Maintenance

Easier maintenance, with a fully-opening engine hood and equipment that requires the most frequent checks positioned to be readily visible.



Under the Operator's Seat



Generator Starter motor Fuel box

Right Side



Hydraulic tank
Battery
Fuel tank

Easy Access to Engine Compartment

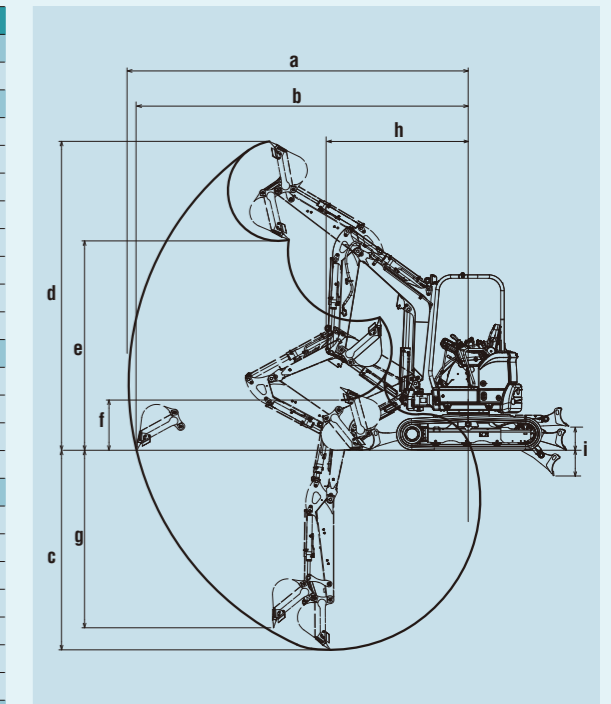


Water separator
Fuel filter
Radiator over flow bottle
Engine oil filter

SPECIFICATIONS

GENERAL			
MODEL		SK25SR	
Type		SK25SR-6E	
PERFORMANCE			
Shoe Type		Rubber	Steel
Bucket Capacity		m ³ 0.08	
Travel Speed (high/low)		km/h 4.5/2.8	
Swing Speed		min ⁻¹ {rpm} 10.0	
Gradeability		% (degree) 47 (30)	
Traction Force		kN 24.4	26.7
Bucket Digging Force (with Quick Hitch)		kN 23.1 (18.2)	
Arm Crowding Force (with Quick Hitch)		kN 12.6 (11.7)	
WEIGHT			
Machine Mass	Cab (with Quick Hitch)	kg 2,690 (2,740)	2,800 (2,850)
	Canopy (with Quick Hitch)	kg 2,560 (2,610)	2,670 (2,720)
Ground Pressue	Cab (with Quick Hitch)	kPa 31.1 (31.7)	32.3 (32.8)
	Canopy (with Quick Hitch)	kPa 29.6 (30.2)	30.8 (31.4)
ENGINE			
Model		YANMAR 3TNV80F-SXNBV	
Type		Water cooled, 4-cylce, 3-cylinder	
Power Output NET	(ISO9249)	kW/min ⁻¹ {rpm} 14.7/2,500	
	(ISO14396)	kW/min ⁻¹ {rpm} 15.2/2,500	
Max. Torque NET	(ISO9249)	N-m/min ⁻¹ {rpm} 63.9/1,800	
Displacement		L 1.115	
Fuel Tank		L 30.5	
HYDRAULIC SYSTEM			
Pump		Two variable displacement pumps + one gear pump	
Max. Discharge Flow		L/min 2 x 30.0, 21.3	
Relief Valve Setting		MPa 20.6	
Hydraulic Oil Tank (system)		L 25 (39)	
DOZER BLADE			
Width x Height		mm 1,500 x 295	
Working Ranges (height/depth)		mm 340/355	
SIDE DIGGING MECHANISM			
Type		Boom swing	
Offset Angle	To the left	degree 47	
	To the right	degree 74	

WORKING RANGES



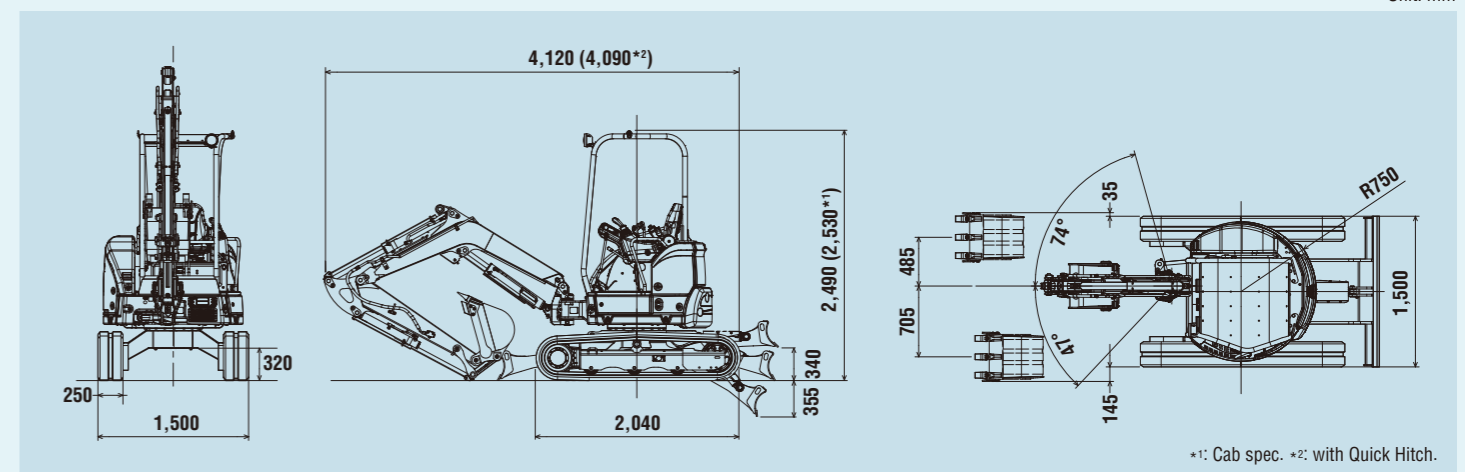
Unit: mm

MODEL	SK25SR
a- Max. digging reach	4,750 (4,910)
b- Max. digging reach at ground level	4,640 (4,800)
c- Max. digging depth	2,790 (2,950)
d- Max. digging height	4,330 (4,480)
e- Max. dumping clearance	2,930 (2,780)
f- Min. dumping clearance	705 (585)
g- Max. vertical wall digging depth	2,490 (2,370)
h- Min. swing radius	1,990 (2,160)
i- Min. swing radius at boom swing	1,680 (1,840)
i- Dozer blade (height/depth)	340/355

Figures in () show the value with Quick Hitch.

GENERAL DIMENSIONS

Unit: mm



*1: Cab spec. *2: with Quick Hitch.

OPTIONAL EQUIPMENT

- Steel shoe