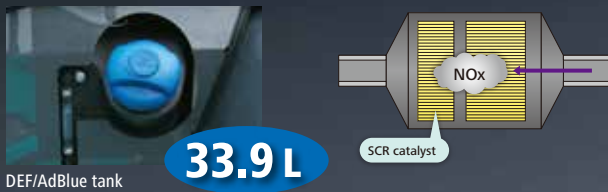


## SK140SRL LOGGING SPECIFICATION

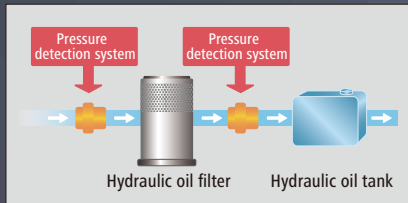
### New Tier IV Compliant Engine

The new type of Tier IV compliant engine is fitted with a diesel oxidation catalyst (DOC) and a selective catalytic reduction (SCR) device to control emissions without using a diesel particulate filter (DPF). It has a large-capacity DEF/AdBlue tank, extending intervals between fill-ups.



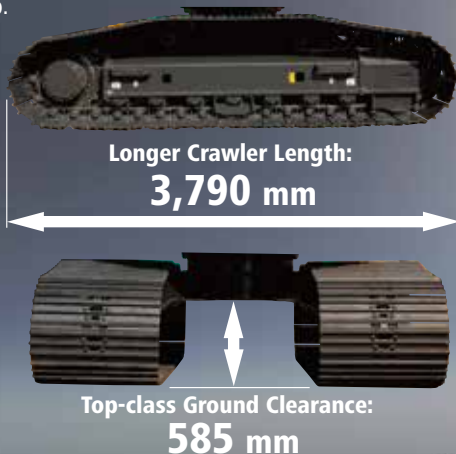
### Hydraulic Oil Filter Clogging Detector

Pressure sensors at the inlet and outlet of the hydraulic oil filter monitor pressure difference to assess the degree of clogging. If the pressure difference exceeds a set level, a warning appears on the multi-display, so the filter can be cleaned before contamination reaches the hydraulic oil tank.



### Wide Shoes Ensures Plenty of Traction

You can count on smooth and dependable travel with the longer crawler and wider shoe that are usually used on machines the next class up.



Ground Pressure: **28 kPa at 900 mm shoe**

### Bluetooth Installed Radio



Bluetooth installed to allow connections with audio devices.

## Designed with Logging Operation in Mind

The SR series, with worry-free tail swing, greatly changed the market for logging operation. Since then, these versatile machines have become increasingly active in forest and farm work, as well, working effectively in locations where small ground pressure and excellent maneuverability are essential.



## SPECIFICATIONS

Model	SK140SRL			
Type	SK140SRL-5			
<b>PERFORMANCE</b>				
Bucket Capacity ISO heaped	m <sup>3</sup>	0.50		
Swing Speed	min <sup>-1</sup>	11.0		
Travel Speed	km/h	5.3/3.0		
Gradeability	% (degree)	70 (35)		
Bucket Digging Force	kN	90.1		
Arm Crowding Force	kN	64.4		
Drawbar Pulling Force	kN	154		
<b>WEIGHT</b>				
Shoe Width	mm	700	800	900
Operating Weight	kg	16,400	16,700	16,900
Ground Pressure	kPa	35	31	28

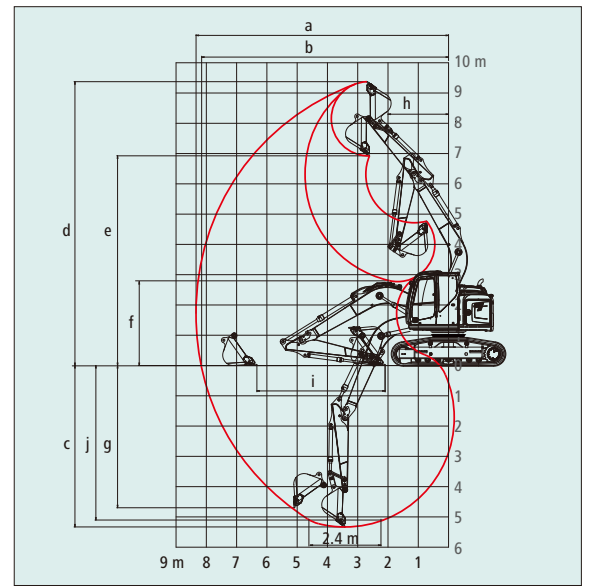
<b>ENGINE</b>			
Model	ISUZU 4JJ1XDRA		
Type	Direct injection, water-cooled, 4-cylinder 4-cycle, diesel engine, with turbocharger, intercooler (Complies with Tier IV)		
Power Output (ISO14396)	kW/min <sup>-1</sup>	78.5/2,000	
Max. Torque (ISO14396)	N·m/min <sup>-1</sup>	375/1,800	
Dispalacement	L	2,999	
Fuel Tank	L	190	
DEF/AdBlue Tank	L	33.9	

<b>HYDRAULIC SYSTEM</b>			
Pumps	Two variable displacement pumps + one gear pump		
Max. Discharge Flow	L/min	2 x 130, 1 x 20	
Relief Valve Setting (main)	MPa	34.3	
Swing Motor	Axial piston motor		
Travel Motors	2 x axial-piston, two-step motors		
Hydraulic Oil Tank (System)	L	79.3 (168.0)	

## WORKING RANGES

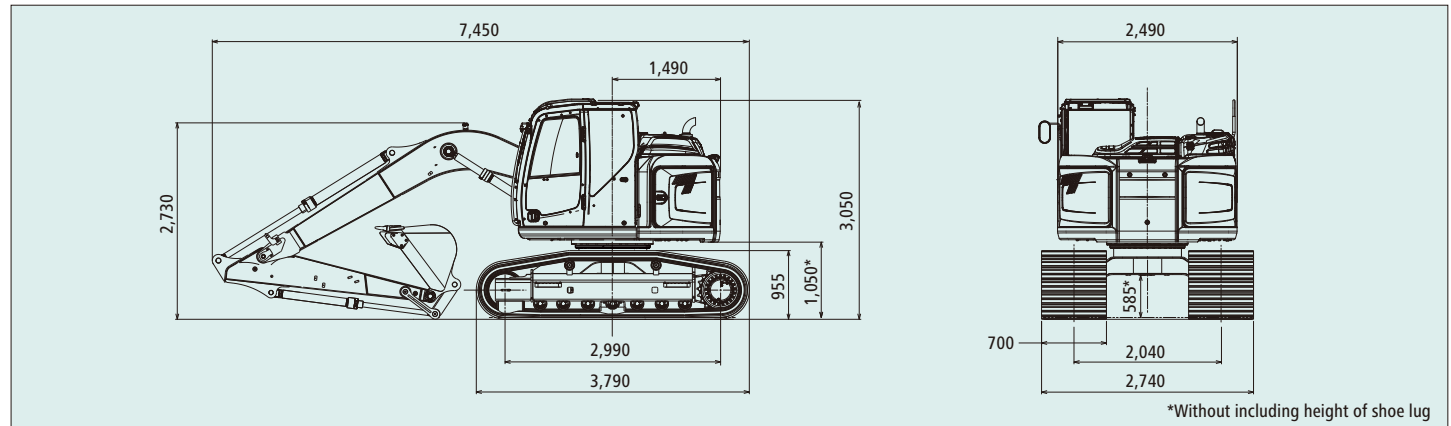
Unit: m

MODEL	SK140SRL
Arm length	2.38 m
a- Max. digging reach	8.34
b- Max. digging reach at ground level	8.16
c- Max. digging depth	5.33
d- Max. digging height	9.37
e- Max. dumping clearance	6.93
f- Min. dumping clearance	2.77
g- Max. vertical wall digging depth	4.70
h- Min. swing radius	2.00
i- Horizontal digging stroke at ground level	4.24
j- Digging depth for 8' (2.4 m) flat bottom	5.10
Bucket capacity (ISO heaped)	0.50 m <sup>3</sup>



## GENERAL DIMENSIONS

Unit: mm



Note: This catalog may contain attachments and optional equipment that are not available in your area. And it may contain photographs of machines with specifications that differ from those of machines sold in your areas. Please consult your nearest KOBELCO distributor for those items you require. Due to our policy of continuous product improvements all designs and specifications are subject to change without advance notice. Copyright by **KOBELCO CONSTRUCTION MACHINERY CO., LTD.** No part of this catalog may be reproduced in any manner without notice.

## KOBELCO CONSTRUCTION MACHINERY CO., LTD.

5-15 kitashinagawa 5-chome, Shinagawa-ku, Tokyo 141-8626 JAPAN  
Tel: +81 (0) 3-5789-2146 Fax: +81 (0) 3-5789-2135  
[www.kobelco-kenki.co.jp/english\\_index.html](http://www.kobelco-kenki.co.jp/english_index.html)

Inquiries To:

**KOBELCO** is the corporate mark used by Kobe Steel on a variety of products and in the names of a number of Kobe Steel Group companies.